

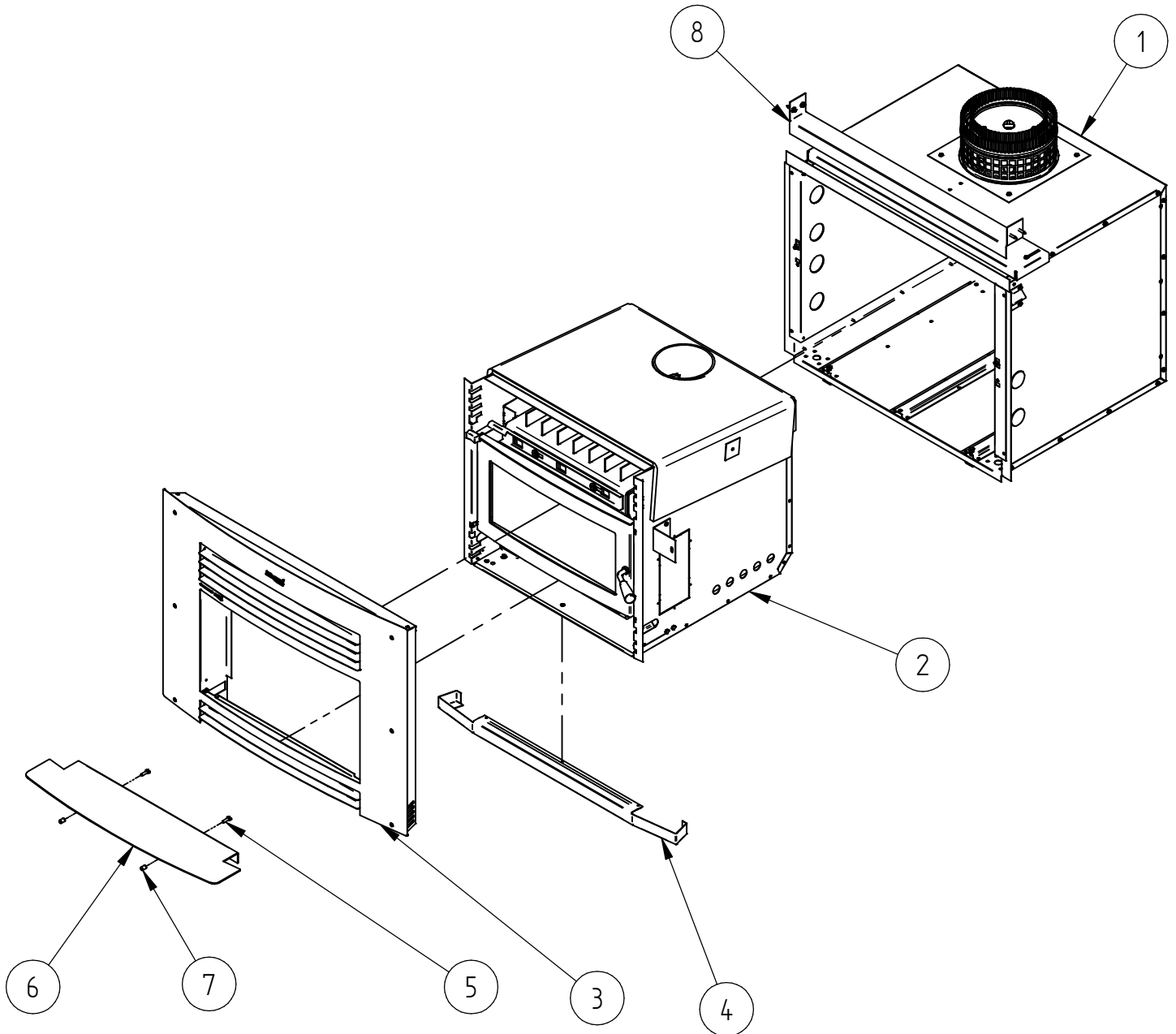
Masport[®] Heating

INSERT & INBUILT WOOD FIRES

I3000 NEW ZEALAND WET						
DESCRIPTION	ITEM NO.	MARKET	FUEL TYPE	FINISH	YEAR	FAN
Fire Box	993921	NZ	SOFTWOOD	-NA.-	APR-2011	-NA.-
ZC Fascia	993912			Matt Black Enamel		
ZC box	993913			-NA.-		
KIT CODE	DESCRIPTION			CONTENTS		
MAW2072	I3000 WET INSERT NZ			993921+993912		
MAW2073	I3000 WET Z/C NZ			993921+993912+993913		



OVER ALL SCHEMATIC FOR I3000 (NZ) INBUILT / ZC COMPONENTS

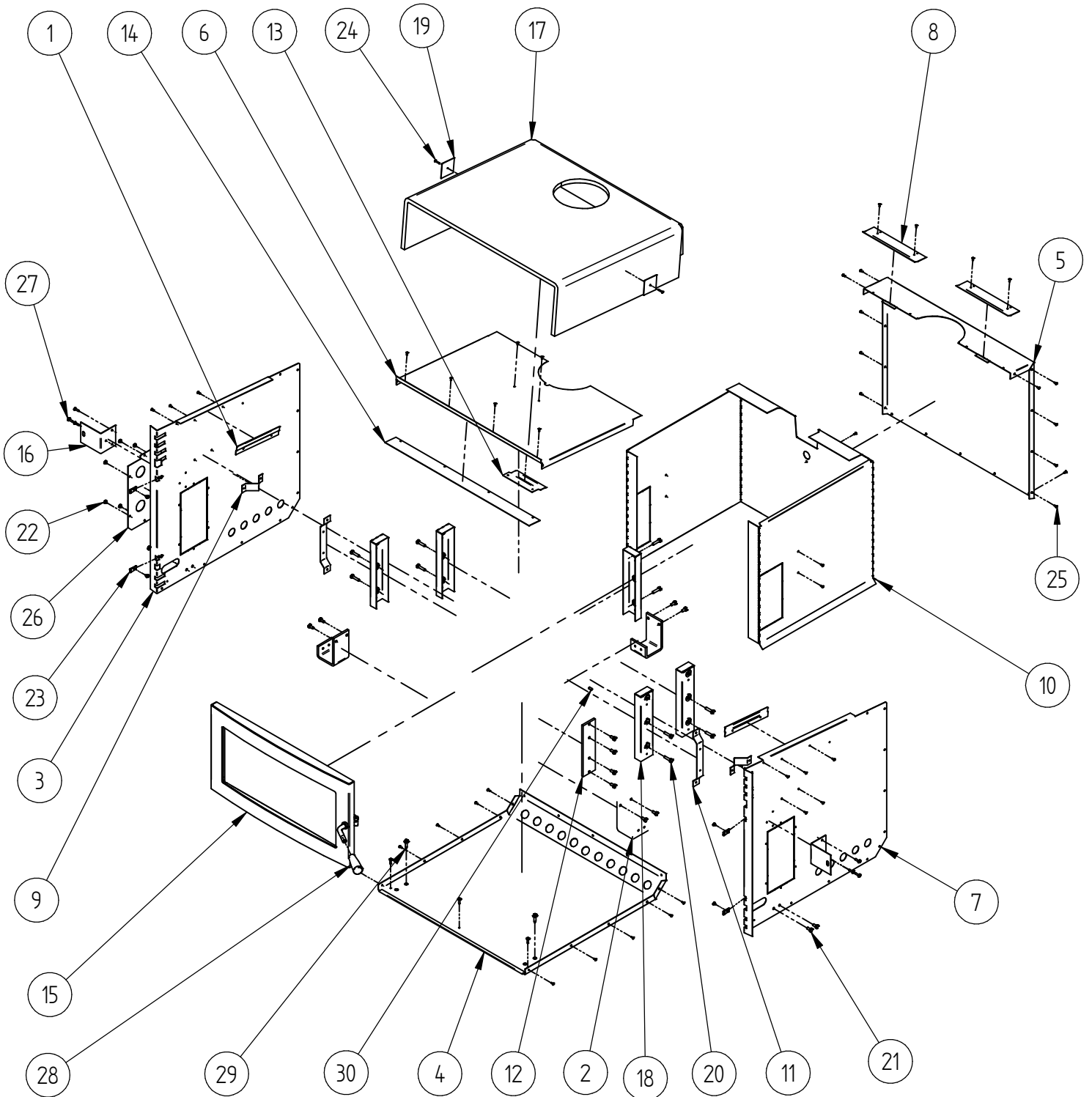


When ordering PLEASE QUOTE PART ID along with Finish Suffix (if applicable)

FASCIA AND ZERO CLEARANCE BOX				
ITEM	Part ID	Model	Descriptions	Qty
		993921		
1	993913	-	ZERO CLEARANCE BOX I3000 2010	1
2	993911	-	W/F I3000 DRY NZ 2010 MAT BLK ENL	1
3	993912	-	FASCIA I3000 INSERT MAT BLK ENL	1
4	993550	-	FASCIA BTM PANEL ZC I3000 MAT BLK EN	1
5	521054	-	SCREW; M6X20 HEX ZP	2
6	993535	E01	FASCIA ASH SHELF I3000 MAT BLK EN	1
7	522611	-	NUT; RIVNUT THN/SHT M6X13.5	2
8	993527	-	SUPPORT ANGLE WALL PANEL ZC KT I3000	1

When ordering PLEASE QUOTE PART ID along with Finish Suffix (if applicable)

PANELS, DOOR AND PEDESTAL

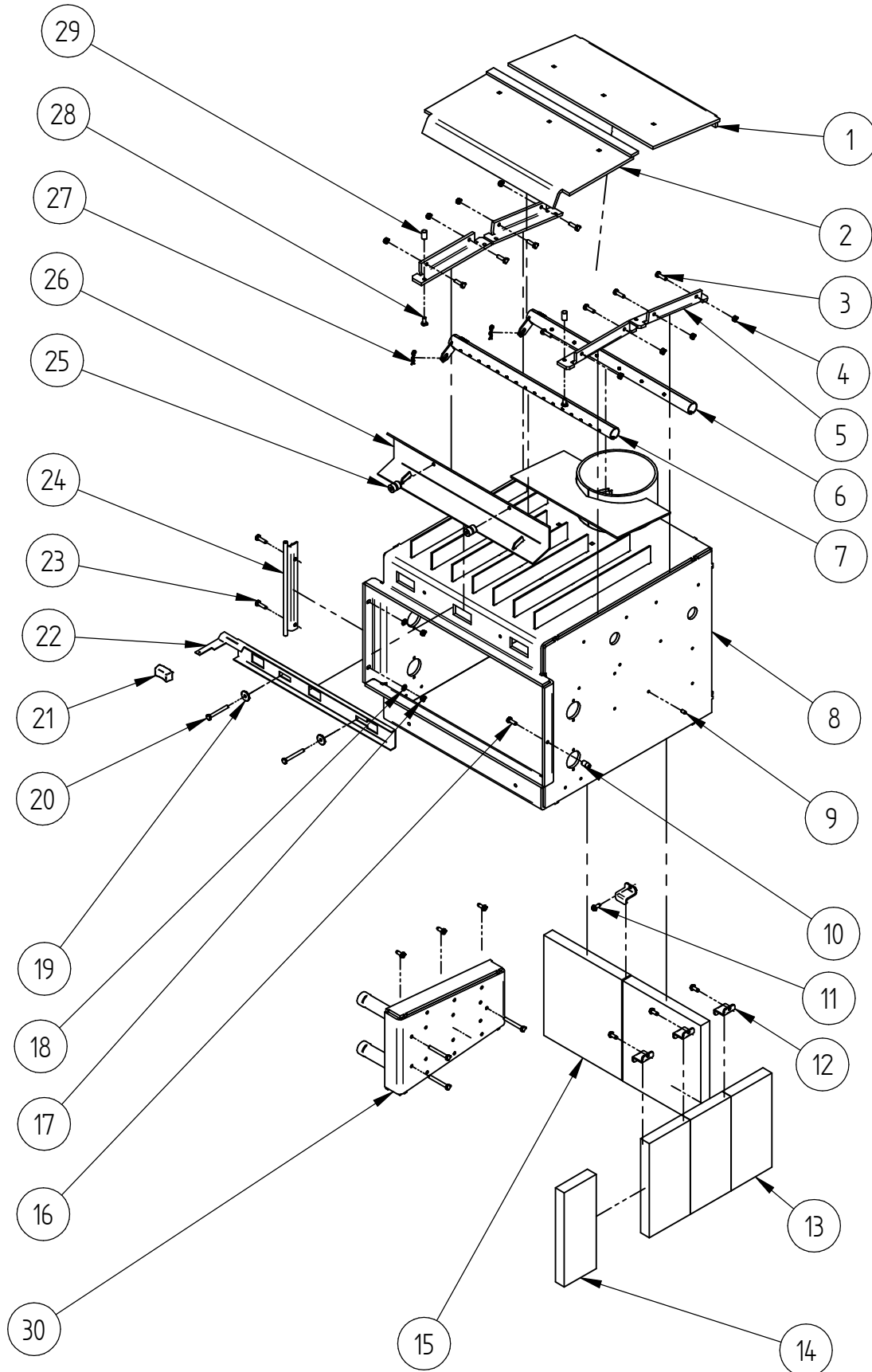


When ordering PLEASE QUOTE PART ID along with Finish Suffix (if applicable)

PANELS, DOOR AND PEDESTAL				
Item	Part ID	Model	Descriptions	Qty
		993921		
1	986514	-	CASE OUTER, GUIDE RAIL LE	2
2	993513	-	F/B FOOT I-3000	3
3	993520	-	I3000 CABINET L/H PANEL	1
4	993521	-	I3000 CABINET BASE	1
5	993522	-	I3000 CABINET REAR PANEL	1
6	993523	-	I3000 TOP CABINET PANEL	1
7	993524	-	I3000 CABINET R/H SIDE PANEL	1
8	993525	-	I3000 CABINET JOINER PLATE	2
9	993526	-	I3000 CABINET BRACKET	2
10	993528	-	I3000 HEATSHIELD	1
11	993529	-	I3000 HEATSHILED BRACKET	2
12	993541	-	I3000 WETBACK COVER PLATE	1
13	993543	-	I3000 Cabinet Top Clip	1
14	993566	-	I3000 CABINET TOP PANEL LIP	1
15	993564	-	SEE DOOR ASSEMBLY PAGE	1
16	993582	-	I3000 Z/C CENTRAL BRACKET	2
17	993589	-	I-3000 Fibafrex Blanket	1
18	HCA00164	-	HCA SEC AIR CHANNEL	5
19	MIB00065	-	MIB CABINET WASHER	2
20	521058	-	SCREW; M6X25 HEX ZP	10
21	521075	-	SCREW; M6X12 HEX ZP	14
22	521627	-	SCREW; S/T 8GX3/8" MUSH FLANGE POZI BLK	10
23	522400	-	NUT; SPIRE 8G BLK	4
24	524004	-	RIVET; 73 AS 4-9	2
25	524010	-	RIVET; 73 MS 4-3 LONG	51
26	993724	-	I3000 W/B CAB COVER PLATE	1
27	521625	-	SCREW; S/T 8GX3/4" MUSH FLANGE POZI BLK	9
28	PYR00376	-	PYR DOOR HANDLE	1
29	521637	-	SCREW; S/T 12GX25 TIMBERTITE	2
30	521703	-	SCREW; GRUB M6X10 ALLEN BLK	1

When ordering PLEASE QUOTE PART ID along with Finish Suffix (if applicable)

AIRSLIDE, BAFFLE, BRICKS AND FIREBOX

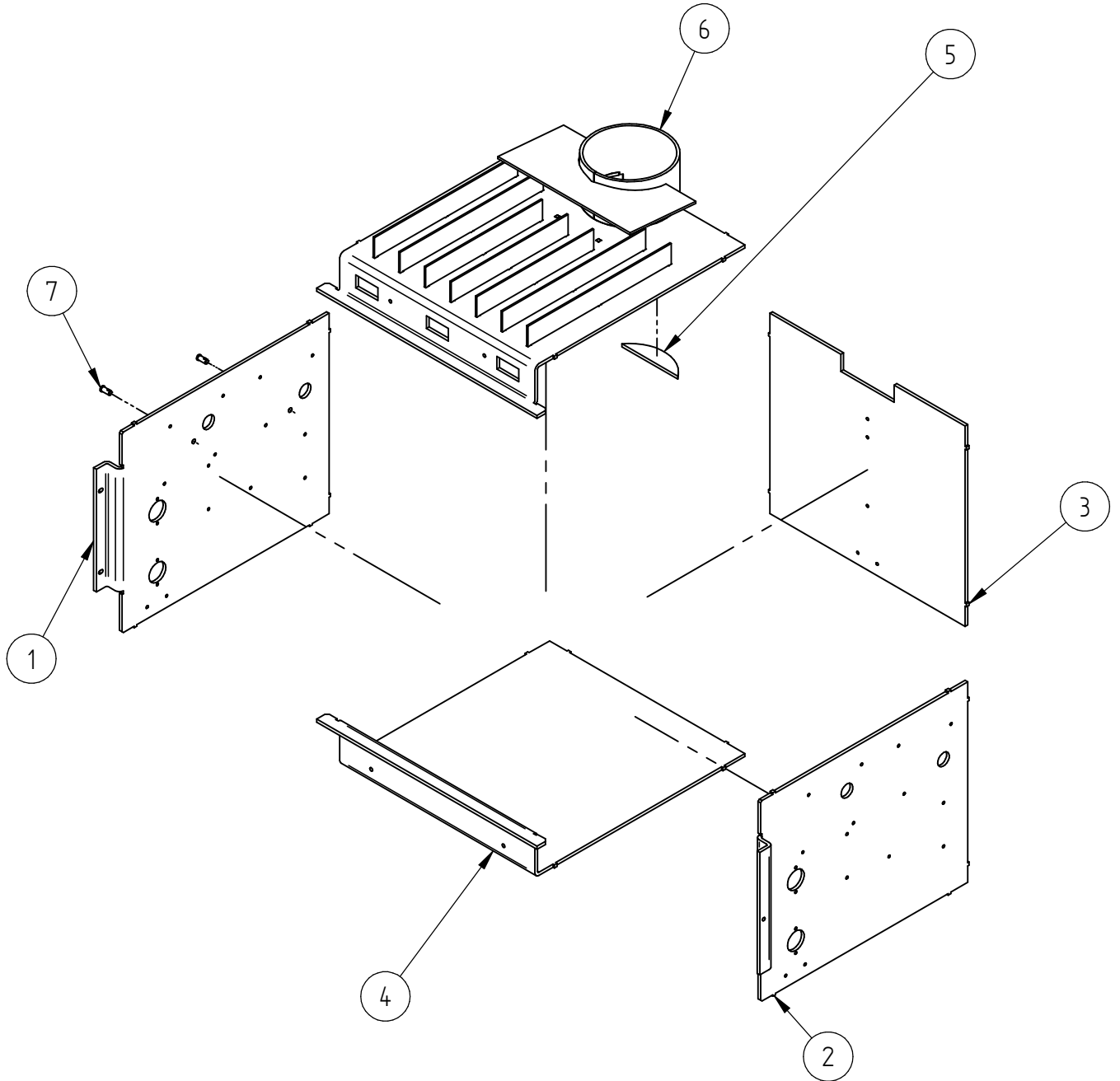


When ordering PLEASE QUOTE PART ID along with Finish Suffix (if applicable)

AIRSLIDE, BAFFLE, BRICKS AND FIREBOX				
ITEM	Part ID	Model	Descriptions	Qty
		993921		
1	993548	-	BAFFLE ASSY REAR WELDED I3000	1
2	993544	-	BAFFLE ASSY FRONT WELDED I3000	1
3	521054	-	SCREW; M6X20 HEX ZP	8
4	522108	-	NUT; HEX STD M6 ST304	1
5	993551	-	BAFFLE SUPPORT I3000	4
6	993554	-	TUBE SEC AIR ASSY REAR I3000	1
7	993553	-	TUBE SEC AIR ASSY FRONT I3000	1
8	993500	-	F/B ASSY I3000	1
9	521703	-	SCREW; GRUB M6X10 ALLEN BLK	1
10	MIC00079BK	-	KIT LOGAIRE CATCH PIN BLK ZC	1
11	521632	-	SCREW;S/TM6X15HEX FLNGE NIC TAPTITE	7
12	HBA00118	-	HBA BRICK SUPPORT	7
13	PYRE00354	-	BRICK-PYR ECO 25x115x230,CERAMIC	6
14	993573	-	BRICK 25 x 90 x 230 CERAMIC	2
15	587112	-	BRICK-FIRE BACK LE 25X220X245	2
16	521076	-	SCREW; M6X16 HEX ZP	3
17	522117	-	NUT; HEX STD M6 ZP	2
18	523031	-	WASHER; FLAT M6 ZP	2
19	MIC00083BK	-	MIC AIRSLIDE SPACER BLK ZC	2
20	521061	-	SCREW; M6X50 HEX ZP	5
21	MIC00375	-	LOGAIRE AIR CONTROL KNOB	1
22	993542	-	SLIDE AIR INLET I3000 DRY	1
23	521054	-	SCREW; M6X20 HEX ZP	2
24	MICAC190	-	MIC DOOR HINGE COMPLETE	1
25	HBA00129	-	AIR DEFLECTOR BUSH -GROOVED	2
26	993519	-	DEFLECTOR ASSY PRIMARY AIR I3000	1
27	526101	-	CLIP; R-CLIP 1.8 DIA ST	2
28	521075	-	SCREW; M6X12 HEX ZP	2
29	MET00075	-	MET BRICK BOSS	2
30	993715	-	WATER BOOSTER ASSY I3000 1.4kW	1

When ordering PLEASE QUOTE PART ID along with Finish Suffix (if applicable)

FIREBOX DETAILS

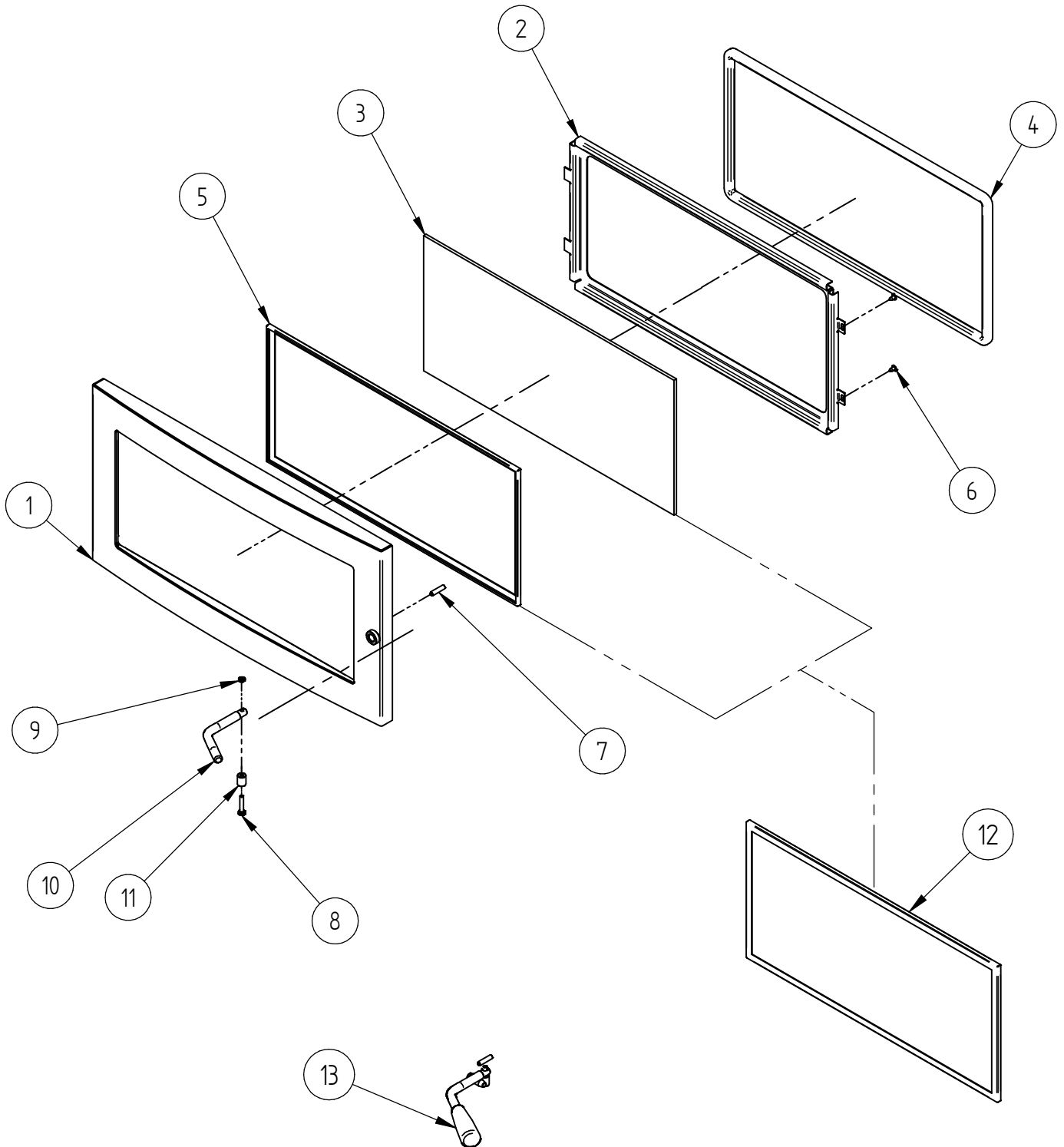


When ordering PLEASE QUOTE PART ID along with Finish Suffix (if applicable)

FIREBOX				
Item	Part ID	Models	Descriptions	Qty
		993921		
1	993502	-	I3000 F/B L/H PANEL	1
2	993503	-	I3000 F/B L/H PANEL	1
3	993504	-	I3000 REAR F/B PANEL	1
4	993505	-	I3000 F/B BOTTOM PANEL	1
5	993511	-	I3000 F/B SPIGOT PLATE	1
6	993515	-	I3000 FIREBOX TOP ASSEMBLY	1
7	MIC00137	-	MIC AIRBAR PIN	2

When ordering PLEASE QUOTE PART ID along with Finish Suffix (if applicable)

DOOR ASSEMBLY

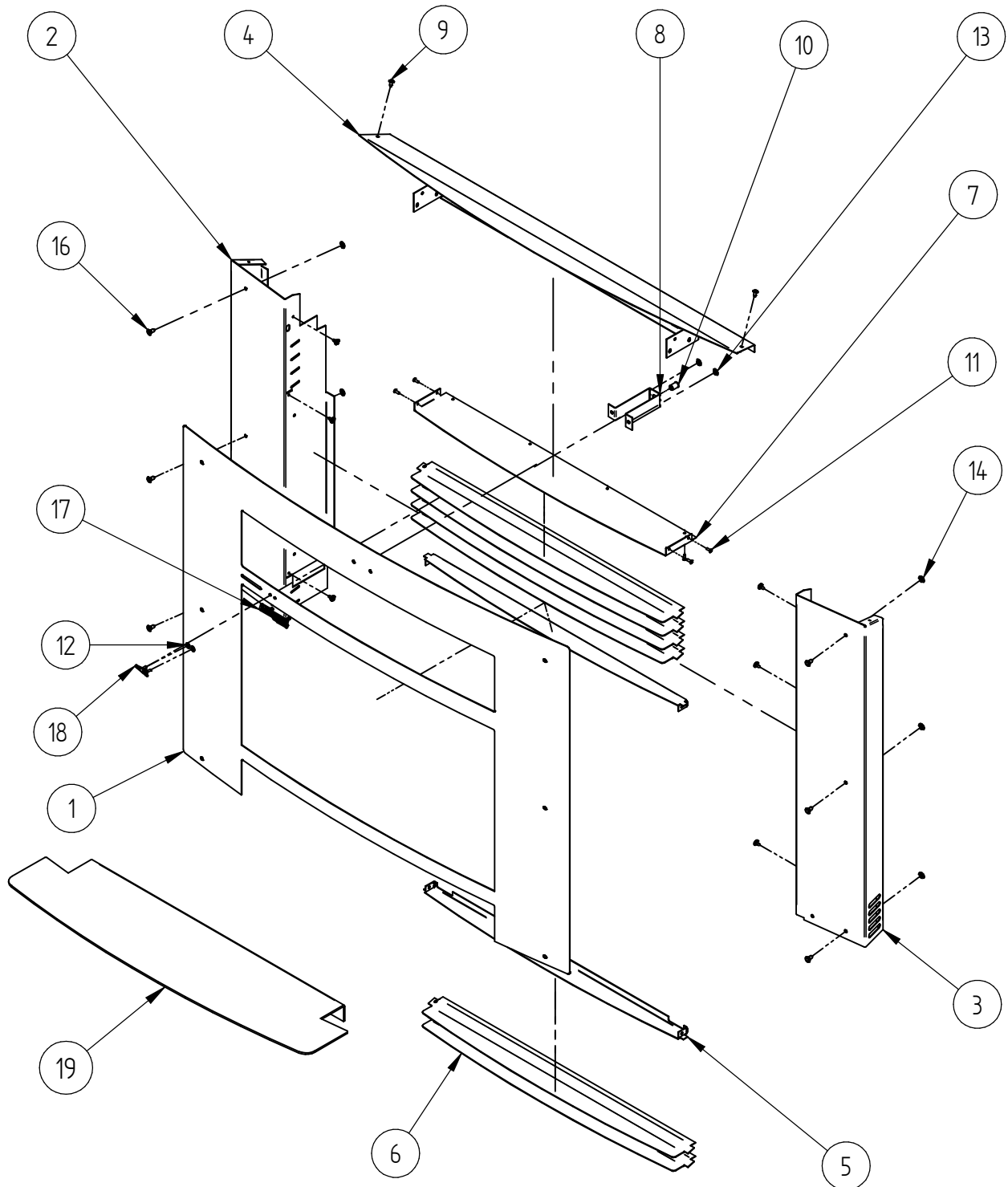


When ordering PLEASE QUOTE PART ID along with Finish Suffix (if applicable)

DOOR ASSEMBLY				
Item	Part ID	Models	Descriptions	Qty
		993921		
1	993560	E01	I3000 WELDED DOOR ASSY	1
2	PFS00034	-	PFS GLASS RETAINER	1
3	PFS00204	-	PFS GLASS	1
4	C16MMDR	-	DOOR ROPE 16MM X 50m ROLL (MTR)	1
5	C25MMLT	-	LADDER TAPE 25x3x50m ROLL (MTR)	1
6	521627	-	SCREW; S/T 8GX3/8" MUSH FLANGE POZI BLK	2
7	521704	-	SCREW; GRUB M6X25 ALLEN BLK	1
8	521805	-	SCREW; CAP M5X25 ALLEN BLK	1
9	522901	-	NUT; BINX M5 ZP	1
10	KRR00373	V02	KRR DOOR LEVER	1
11	PYR00461	-	PYR HANDLE ROLLER	1
12*	PFSAC204	-	DOOR GLASS KIT	1
13*	PYREDH	-	DOOR HANDLE KIT	1

*Optional Sale Kit

FASCIA ASSEMBLY

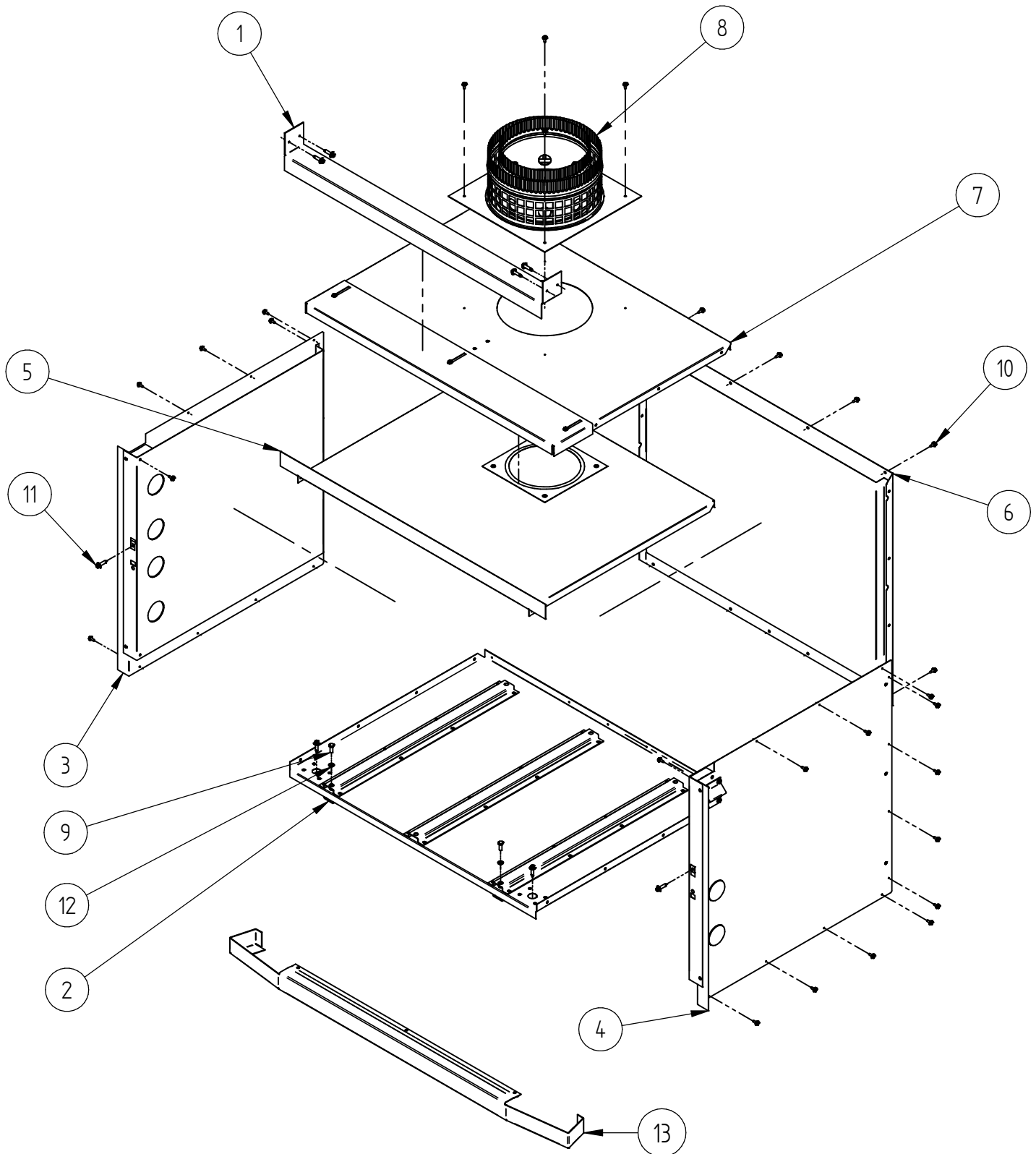


When ordering PLEASE QUOTE PART ID along with Finish Suffix (if applicable)

FASCIA ASSEMBLY				
Item	Part ID	Models	Descriptions	Qty
		993921		
1	993530	E01	I3000 FASCIA PANEL	1
2	993531	V02	I3000 L/H FASCIA SIDE PANEL	1
3	993532	V03	I3000 R/H FASCIA SIDE PANEL	1
4	993533	E01	I3000 FASCIA TOP CHANEL	1
5	993534	V02	I3000 FASCIA MIDDLE CHANEL	2
6	993536	E01	I3000 FASCIA LOUVRE	6
7	993537	V02	I3000 Fascia Top Channel Angle	1
8	993538	-	I3000 FASCIA TOP CHANEL BRACKET	1
9	521627	-	SCREW; S/T 8GX3/8" MUSH FLANGE POZI BLK	8
10	522611	-	NUT; RIVNUT THN/SHT M6X13.5	1
11	524002	-	RIVET; 73 AS 4-3	8
12	526008	-	CLIP; STARLOCK M3	2
13	526009	-	CLIP; STARLOCK M4	2
14	526010	-	CLIP; STARLOCK M5	6
15*	529410	-	'O' RING 5 ID X 1.0 SILICONE	6
16	593567	-	I3000 FASCIA STUD	6
17	587835	-	BADGE MASPORT HEATING	1
18	MIC00744	-	MIC HILO BADGE	1
19	993535	E01	FASCIA ASH SHELF I3000	1

When ordering PLEASE QUOTE PART ID along with Finish Suffix (if applicable)

ZERO CLEARANCE BOX ASSEMBLY



When ordering PLEASE QUOTE PART ID along with Finish Suffix (if applicable)

ZERO CLEARANCE BOX				
Item	Part ID	Models	Descriptions	Qty
		993921		
1	993527	-	SUPPORT ANGLE - WALL PANEL ZC KT I3000	1
2	993590	-	I3000 Z/C PANEL ASSY BOTTOM	1
3	993591	-	I3000 Z/C PANEL ASSY L/H	1
4	993592	-	I3000 Z/C PANEL ASSY R/H	1
5	993593	-	I3000 Z/C TOP SHIELD ASSY	1
6	993594	-	I3000 Z/C PANEL ASSY REAR	1
7	993595	-	I3000 Z/C PANEL ASSY TOP	1
8	593374	-	FLANGE- SPIGOT ASSY I9000	1
9	521076	-	SCREW; M6X16 HEX ZP	2
10	521643	-	SCREW; S/T 8GX1/2" HEX POZI BLK	37
11	521637	-	SCREW; S/T 12GX25 TIMBERTITE	8
12	523031	-	WASHER; FLAT M6 ZP	2
13	993550	E01	FASCIA BTM PANEL ZC I3000 MAT BLK EN	1

When ordering PLEASE QUOTE PART ID along with Finish Suffix (if applicable)

NOT ILLUSTRATED				
Item	Part ID	Models	Descriptions	Qty
		993921		
1	593286	-	OWNER MANUAL WOODFIRES	1
2	593287	-	INSTALL MANUAL WOODFIRE	1
3	593509	-	INSTRUCT I3000 INSERT INSTALLATION	1
4	593584	-	INSTRUCT I3000 Z/C INSTALLATION	1
5	593723	-	INSTRUCT I3000 WATER BOOSTER	1

SURFACE FINISH CODES FOR PANELS					
VITREOUS ENAMEL		VHT PAINT(Very High Temp)		POWDER COAT	
E01	MATT BLACK	V02	METALLIC BLACK	P02	MATT BLACK
E02	GLOSS BLACK	V03	CHARCOAL	P03	CHARCOAL
E03	CHARCOAL	V04	TITANIUM	P05	SATIN BLACK
		V05	CHARCOAL (DAM MET BLK)	P09	METTALIC BLACK
		V06	METALLIC BLACK ZINC		

When ordering PLEASE QUOTE PART ID along with Finish Suffix (if applicable)